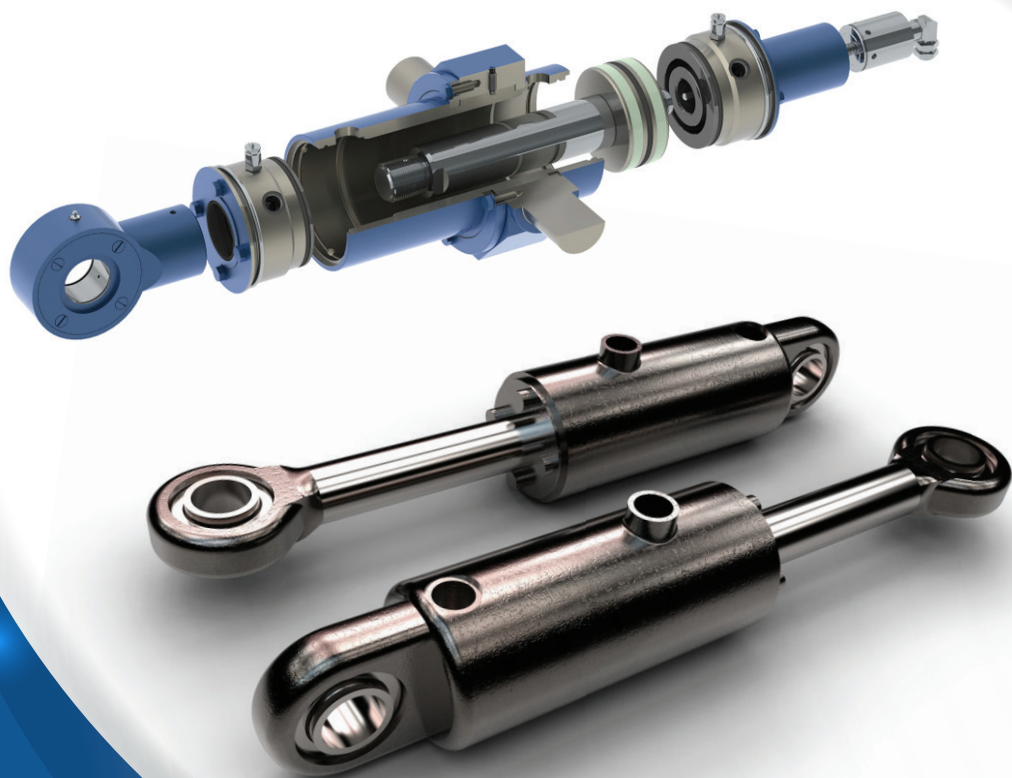


EXPERIENCE THE
INNOVATION WITH
PERFECTION

An ISO 9001:2015 Certified Company



**BS HYDRAULIC
INDUSTRIES**

Agro hydraulic solutions

EXPERIENCE THE INNOVATION WITH PERFECTION

ABOUT US

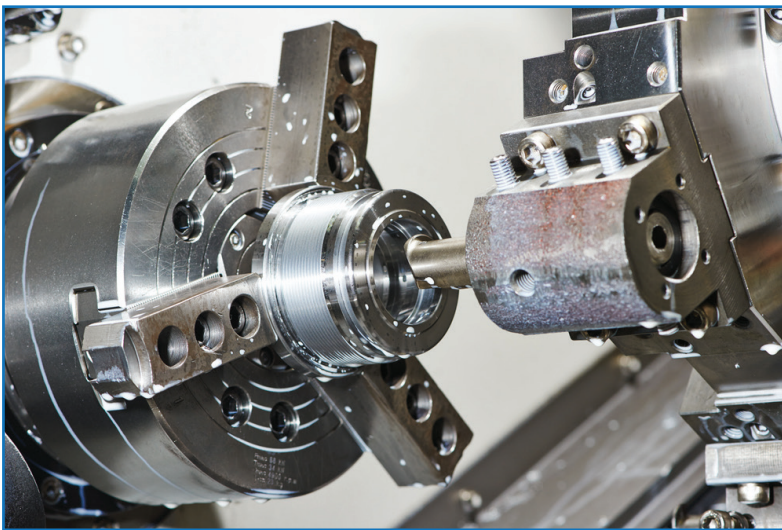
BS HYDRAULIC INDUSTRIES started its journey with a small entity named Balwinder Repairing Works in 1998. We have a vast infrastructure with latest machinery. We spread over to large geographical area across the globe. The increasing demand of our valued customers and grand vision of our Managing Director led to the formation of BS Hydraulic Industries in 2005.

Our workshop consists of state of art equipments to provide you the best quality and diverse range of hydraulic cylinders. Today, we have large production capacity of hydraulic cylinders. We aim to manufacture, market and service a diverse range of hydraulic cylinders as per customer's specifications and requirements.

We manufacture hydraulic cylinders for Combine Harvester, Tractor Front Reaper, Tractor Trolley Hydraulic Jack & Cylinder, Laser Land Leveller, Tractor Front & Back Hoe Loader, Disc Harrow, Drilling Rig, Tractor Mounted Crane, Construction Equipments, Solid Waste Equipments, Material Handling Equipments, Machine Tool Industries, Customized Hydraulic Cylinder.



OUR STRENGTH



Today, Many industrial application demand more from hydraulic than ever before. Greater Pressures, Higher Speeds, Closer Tolerances, Zero leakage performance demands require true premium quality cylinders, such as the product line offered by BS Hydraulic Industries.

Every component manufactured at BS Hydraulic Industries is unique in its Manufacturing. Customized with precision and designed to perfection, we ensure that every component is manufactured with the CNC machines, automatic welding & other automated machines.

EXPERIENCE THE
INNOVATION WITH
PERFECTION



Automatic Mig Welding



CNC Turning Machine



CNC Turning Machine



VMC Machine

OUR PRODUCT RANGE

HYDRAULIC CYLINDER FOR COMBINE HARVESTER



BS Hydraulic Industries is expertise in manufacturing and supplying high quality Hydraulic Cylinder for combine harvester. Feeder Cylinder are single stand in hydraulic cylinders which means it extends using hydraulic pressure and pull back using gravity and mass of load and are available in various sizes. Steering cylinder are double acting stand in hydraulic cylinders which means it extends using hydraulic pressure for tilt the rear wheel which are available in various sizes. The harvester cylinders are compact enough that can easily fits within confines of body of the combine harvester.

Various types of hydraulic cylinder in combine harvester:

- Feeder Cylinder
- Steering Cylinder
- Rear Cylinder
- Changer Cylinder

Application

» It is used in combine harvester for various application.

EXPERIENCE THE
**INNOVATION WITH
 PERFECTION**

**HYDRAULIC CYLINDER FOR TRACTOR
 FRONT & BACK HOE LOADERS**

We offer Cylinders for all model of back hoe Loader used as a Earth Moving Equipments without any fitment modification and with a suitable Guaranty/Warranty.



SPECIFICATION (Bucket Cylinder)

Close Center	Open Center	Stroke Length	Rod Dia.	Body Tube Dia.	Pin Hole	Classification
31 in	53.5 in	22.5 in	32 mm	50 x 60 mm	28 mm	Double Acting
28 in	47.5 in	19.5 in	32 mm	50 x 60 mm	28 mm	Double Acting
32 in	56 in	24 in	40 mm	63 x 73 mm	30 mm	Double Acting
34 in	60 in	26 in	40 mm	63 x 73 mm	32 mm	Double Acting
25 in	41 in	16 in	35 mm	55 x 65 mm	30 mm	Double Acting
30 in	51 in	21 in	35 mm	55 x 65 mm	32 mm	Double Acting

(Lift Cylinder)

Close Center	Open Center	Stroke Length	Rod Dia.	Body Tube Dia.	Pin Hole	Classification
32 in	55.5 in	23.5 in	60 mm	75 x 90 mm	28 mm	Single Act. (Hi. Sp.)
27.5 in	46 in	18.5 in	60 mm	75 x 90 mm	28 mm	Single Act. (Hi. Sp.)
42 in	74.5 in	32.5 in	50 mm	80 x 90 mm	35 mm	Double Acting
35 in	60.5 in	25.5 in	50(45) mm	80 x 90 mm	35 mm	Double Acting
40 in	71 in	31 in	45(40) mm	70 x 80 mm	32 mm	Double Acting
35 in	60.50 in	25.5 in	45(40) mm	70 x 80 mm	32 mm	Double Acting

Stroke length and center height dimension are approx. It can be design as per customer requirement *

Oil Seals: P.U. Seals, Fiber Guide Rings, Imported piston seals, Step Seals & Backup Rings.



HYDRAULIC CYLINDER FOR LASER LAND LEVELLER

We expertise in manufacturing and supplying high quality Hydraulic Cylinder For Laser Land Leveller which are used to level the ground. We offer Hydraulic Cylinder & Jacks for Laser Land Leveller at very competitive prices. All of our Hydraulic Cylinders & Jacks meet the industry quality standards.

SPECIFICATION

Close Center	Open Center	Stroke Length	Rod Dia.	Body Tube Dia.	Pin Hole	Classification
24 in	34.5 in	10.5 in	45 mm	80 x 92 mm	26 mm	Double Acting
24 in	36 in	12 in	45 mm	80 x 92 mm	26 mm	Double Acting
22.5 in	33 in	10.5 in	45 mm	80 x 90 mm	26 mm	Double Acting
25 in	11.5 in	36.5 in	45 mm	80 x 90 mm	26 mm	Double Acting

Stroke length and center height dimension are approx. It can be design as per customer requirement *

Oil Seals: P.U. Seals, Fiber Guide Rings, Imported piston seals, Step Seals & Backup Rings.

HYDRAULIC CYLINDER FOR TRACTOR FRONT REAPER

We offer Cylinders for all model of tractor mounted FRONT REAPER used as a cropping machine without any fitment modification and with a suitable Guaranty/Warranty.

SPECIFICATION

Close Center	Open Center	Stroke Length	Rod Dia.	Body Tube Dia.	Pin Hole	Classification
12.5 in	17.5 in	5 in	32 mm	50 x 60 mm	17 mm	Piston Rod
14.5 in	21 in	6.4 in	42 mm	63 x 73 mm	17 mm	Plunger Type

Stroke length and center height dimension are approx. It can be design as per customer requirement *
Oil Seals: NBR Seals, O Ring Piston Seals.



HYDRAULIC JACK FOR TRACTOR TROLLEY

BS Hydraulic Industries is expertise in manufacturing and supplying high quality Hydraulic Cylinder for Tractor Trailers which are single stand in Telescopic Hydraulic cylinders which means it extends using hydraulic pressure and pull back using gravity and mass of load and are available in various sizes . The Telescopic Hydraulic cylinders are compact enough that can easily fits within confines of body of the Tractor Trailers.

Application » It is used in dump truck to lift the Tractor Trailers.



SPECIFICATION

Close Center	Open Center	Stroke Length	Pin Hole	Classification	No. of Stages
33 in	78 in / 77 in	45 in / 44 in	1.4 in	15 ton / 20 ton	2
36 in	88 in / 87 in	52 in / 51 in	1.4 in	15 ton / 20 ton	2
39 in	98 in	59 in	1.4 in	15 ton	2
29 in	78 in	49 in	1.4 in	15 ton	3
33 in	97 in	64 in	1.4 in	15 ton	3
36 in	114 in	78 in	1.4 in	15 ton	3

Stroke length and center height dimension are approx.* Oil Seals: NBR O Ring.

HYDRAULIC CYLINDER FOR CONSTRUCTION MACHINERY

We offer for all types of hydraulic Cylinder suitable for construction machineries as per customer's requirements.

SPECIFICATION

Close Center	Open Center	Stroke Length	Rod Dia.	Body Tube Dia.	Pin Hole	Classification
32 in	55.5 in	23.5 in	40 mm	70 x 80 mm	32 mm	Double Acting
28.5 in	48.5 in	20 in	45 mm	70 x 80 mm	28 mm	Double Acting
32 in	54.5 in	22.5 in	50 mm	80 x 90 mm	35 mm	Double Acting

Stroke length and center height dimension are approx. It can be design as per customer requirement *
Oil Seals: P.U. Seals, Fiber Guide Rings, Imported piston seals, Step Seals & Backup Rings.



EXPERIENCE THE INNOVATION WITH PERFECTION

HYDRAULIC CYLINDER FOR DISC HARROW & PLOUGH

We offer Hydraulic Cylinder for disc harrow & Plough which can be used with tractor. We offer Hydraulic Cylinder for disc harrow and Plough with unique features like Strong & Robust construction, Less maintenance cost. It consumes very low fuel to operate.

SPECIFICATION

Close Center	Open Center	Stroke Length	Rod Dia.	Body Tube Dia.	Pin Hole	Classification
30 in	56 in	22 in	40 mm	63 x 73 mm	30 mm	Double Acting
28 in	47.5 in	19.5 in	32 mm	50 x 60 mm	28 mm	Double Acting

Stroke length and center height dimension are approx. It can be design as per customer requirement *
Oil Seals: P.U. Seals, Fiber Guide Rings, Imported piston seals, Step Seals & Backup Rings.



HYDRAULIC CYLINDER FOR DRILLING RIG



We expertise in manufacturing and supplying high quality Hydraulic Cylinder For Drilling Rig which are used to put hole and extract liquid from the ground. We offer Hydraulic Cylinder & Jacks for drilling rigs at very competitive prices. All of our Hydraulic Cylinders & Jacks meet the industry quality standards.

SPECIFICATION

Close Center	Open Center	Stroke Length	Rod Dia.	Body Tube Dia.	Pin Hole	Classification
35 in	62 in	27 in	40 mm	63 x 73 mm	30 mm	Double Acting
35 in	61.5 in	26.5 in	45 mm	70 x 80 mm	32 mm	Double Acting

Stroke length and center height dimension are approx. It can be design as per customer requirement *
Oil Seals: P.U. Seals, Fiber Guide Rings, Imported piston seals, Step Seals & Backup Rings.

HYDRAULIC CYLINDER FOR TRACTOR MOUNTED CRANE

We offer Cylinders for all model of tractor mounted hydra CRANES used as a lifting Equipments without any fitment modification and with a suitable Guaranty/Warranty.

SPECIFICATION (Lift Cylinder)

Close Center	Open Center	Stroke Length	Rod Dia.	Body Tube Dia.	Pin Hole	Classification
35 in	60.5 in	25.5 in	45(40) mm	70 x 80 mm	32 mm	Double Acting
35 in	61.5 in	26.5 in	50 mm	80 x 90 mm	35 mm	Double Acting

SPECIFICATION (Boom Cylinder)

Close Center	Open Center	Stroke Length	Rod Dia.	Body Tube Dia.	Pin Hole	Classification
72 in	136 in	64 in	40 mm	63 x 73 mm	32 mm	Double Acting
84 in	159 in	75 in	45 mm	70 x 80 mm	35 mm	Double Acting

Stroke length and center height dimension are approx. It can be design as per customer requirement *
Oil Seals: P.U. Seals, Fiber Guide Rings, Imported piston seals, Step Seals & Backup Rings.



HYDRAULIC CYLINDER FOR SOLID WASTE EQUIPMENTS

We expertise in manufacturing and supplying high quality Hydraulic Cylinder For Solid Waste Equipment which are operating the gate on a garbage truck, the grapple in a metal scrap yard, the compactor on a baler, or lifting the blade of a dozer in a land fill site, LH cylinders are widely used in the waste management industry. High quality manufacturing to make our hydraulic cylinders the actuators of choice in the waste management and recycling industries.

Application » It is used in truck functioning for west and garbage control companies as well as constriction industries, recycling industries and so on.

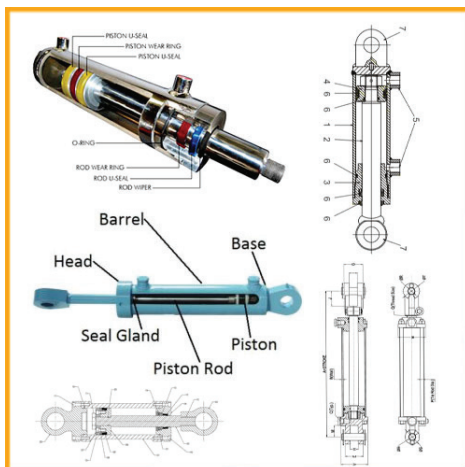


SPECIFICATION

Close Center	Open Center	Stroke Length	Rod Dia.	Body Tube Dia.	Pin Hole	Classification
30 in	52 in	22 in	40 mm	63 x 73 mm	30 mm	Single Acting
30 in	59.5 in	21.5 in	45mm	70 x 80 mm	32 mm	Single Acting
32 in	55.5 in	23.5 in	60 mm	75 x 90 mm	28 mm	Single Act. (Hi. Sp.)

Stroke length and center height dimension are approx. It can be design as per customer requirement *

Oil Seals: P.U. Seals, Fiber Guide Rings, Imported piston seals, Step Seals & Backup Rings.



HYDRAULIC CYLINDER AS PER SAMPLE & DRAWINGS

We offer best quality Cylinders of all model as per sample & drawing according to customer requirement without any fitment modification and with a suitable Guaranty/Warranty.

Hydraulic Cylinder Range:

Tube ID 40 mm to 100 mm

Rod Diameter 20 mm to 60 mm

We aim to create a brand name for our company and carve a niche in the sphere of our operation.

“ EXPERIENCE THE
INNOVATION WITH
PERFECTION ”



www.bshydraulics.in



info@bshydraulics.in
bshydraulicindustries@gmail.com



+91 98644 00017, +91 98645 00017, +91 98642 00017



**BS HYDRAULIC INDUSTRIES,
BS HYDRAULICS & ENGG. WORKS,**
Near Petrol Pump, Factory Road, Maur Mandi,
(Distt- Bathinda) Punjab - 151509 (India)